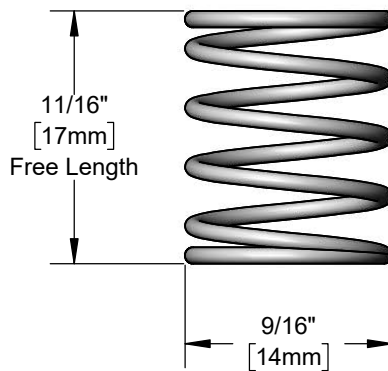
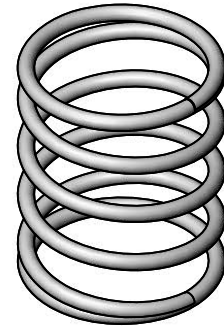




Architect/Engineering Specifications:

Stainless steel spring for T&S bonnet. Certified to NSF 61 - Section 9 and NSF 372.

Job Name _____
 Model Specified _____ Quantity _____
 Variations Specified _____
 Date _____



Features & Benefits:

- Spring for bonnet
- Material: Stainless steel

Product Compliance:

- NSF 61 - Section 9
- NSF 372 (Low Lead Content)



Warranty: One Year (Limited)

Performance Data:

- N/A

