



Range Faucets and Pot Fillers

B-0305-PF72H-CR-KFD

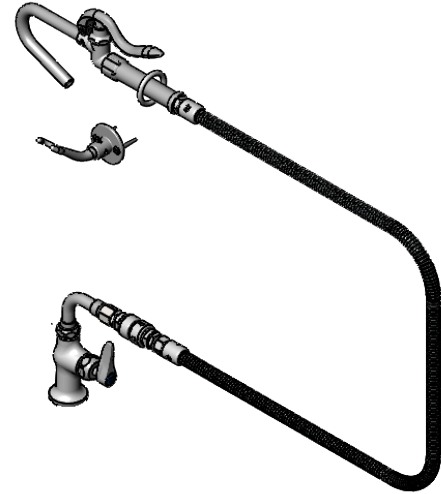
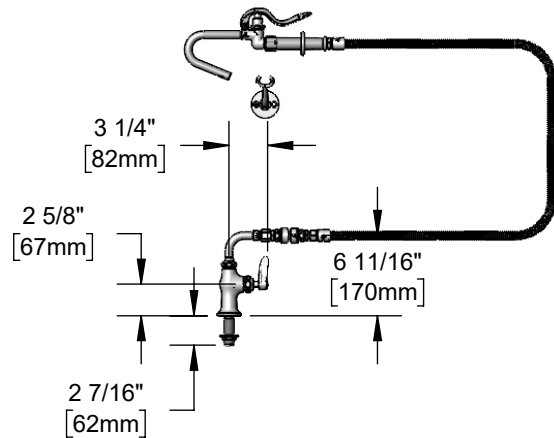
TAG:

Pot Filler Faucet

Architect/Engineering Specifications:

Single hole single temperature deck mount faucet with polished chrome plated brass body, 90° swivel arm adapter, vacuum breaker, 72" flexible stainless steel hose, heat resistant handle, self closing pot filler valve with hook nozzle, ceramic cartridge with check valve, lever handle, 1/2" NPSM male inlet, wall hook and extended deck flange. Certified to ASME A112.18.1 / CSA B125.1, NSF 61-Section 9, NSF 372 and CSA B64.8.

Job Name _____
 Model Specified _____ Quantity _____
 Variations Specified _____
 Date _____



Features & Benefits:

- Single hole single temperature deck mount faucet w/ polished chrome plated brass body
- Lock washer provided for rigid application
- 90° swivel arm adapter
- 72" flexible stainless steel hose w/ heat resistant gray handle and hold down ring
- Vacuum breaker
- Self closing pot filler valve with hook nozzle
- Quarter-turn Cerama cartridge w/ check valve
- Lever handle w/ color coded index
- 1/2" NPSM male inlet
- Wall hook holds spray valve when not in use
- Extended deck flange included
- Material: Polished chrome plated brass body and spray valve body and extended deck flange, stainless steel hose and chrome plated metal handle

Product Compliance:

- ASME A112.18.1 / CSA B125.1
- NSF 61 - Section 9
- NSF 372 (Low Lead Content)
- CSA B64.8 (VB)
- 2019 DOE PRSV Non-Compliant



Warranty: One Year (Limited)

- Cerama Cartridge: Lifetime (Limited)

Performance Data:

- Pressure: 20 - 125 psi [1.38 - 8.62 bar]
- Temperature: 40°F - 140°F [4.44°C - 60 °C]
- Flow Rate: 2.16 GPM [8.18 L/min] @ 60 psi [4.14 bar]

Optional Handles

- 4" Wrist Action
- Lever (Standard)
- 4-Arm

Optional Cartridges With Checks

- Quarter-Turn Cerama w/ Check Valve (Standard)
- Quarter-Turn Eterna w/ Spring Check



T&S BRASS AND BRONZE WORKS, INC.



• 2 Saddleback Cove • Travelers Rest, SC 29690
 Ph 800-476-4103 • Fax 864-834-3518
 • Simi Valley, CA • Ph 800-423-0150 • www.tsbrass.com

Date: 05/31/24