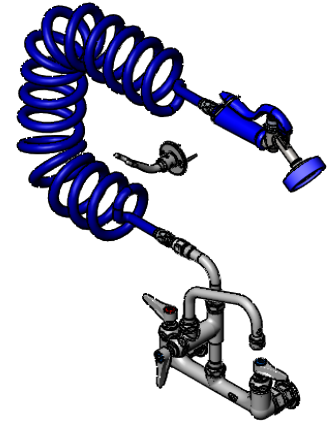
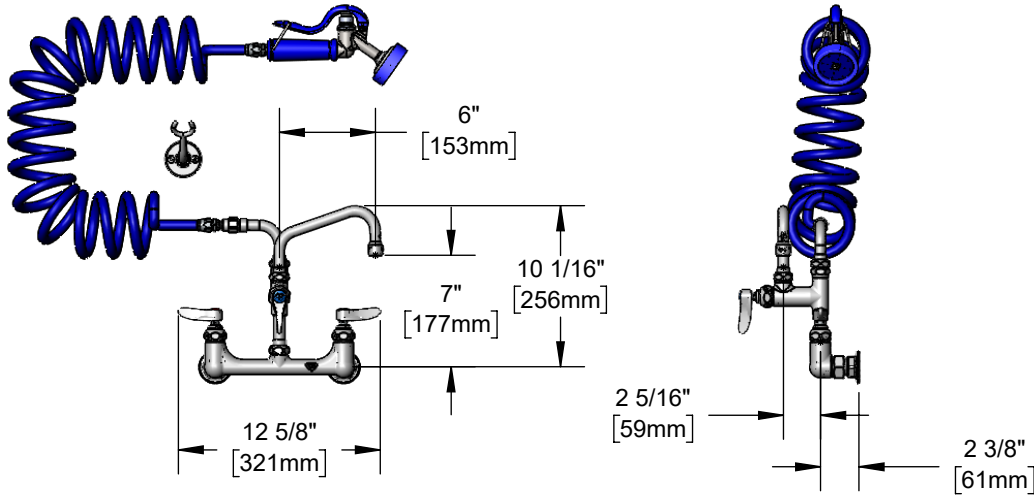




Architect/Engineering Specifications:

8" wall mount mixing faucet, compression cartridges with spring checks, lever handles, add-on faucet with compression cartridge and lever handle, 6" swing nozzle with stream regulator outlet, 90 degree swivel adapter, 9 ft coiled hose with angled aluminum spray valve, hose hanger hook, and 1/2" NPT female inlets. Certified to ASME A112.18.1 / CSA B125.1.

Job Name _____
 Model Specified _____ Quantity _____
 Variations Specified _____
 Date _____



Features & Benefits:

- 8" wall mount mixing faucet w/ chrome plated brass body
- Quarter-turn Eterna cartridges w/ spring checks to prevent cross flow of water
- Lever handles w/ color coded indexes
- EasyInstall add-on faucet w/ polished chrome plated brass body
- 6" swing nozzle w/ stream regulator outlet, Series 1
- 90° swivel adapter
- 9 ft coiled hose w/ angled aluminum spray valve
- Hose hanger hook w/ mounting screws
- 1/2" NPT female Inlets
- Materials: Chrome plated brass body & tubular spout, chrome plated metal handles, polyurethane hose and aluminum spray valve

Product Compliance:

- ASME A112.18.1 / CSA B125.1
- NSF 61 Exempt (Non-Potable)



Warranty: One Year (Limited)

Performance Data:

- Pressure: 20 - 125 psi [1.38 - 8.62 bar]
- Temperature: 40°F - 140°F [4.44°C - 60°C]
- Flow Rate:
 - Spray Valve: 4.12 GPM [15.60 L/min] @ 60 psi [4.14 bar]
 - Swing Nozzle: 9.73 GPM [36.83 L/min] @ 60 psi [4.14 bar]

Optional Add-On Faucet Outlets (Series 1 / VR Series 6)

GPM	Aerated	VR Aerated
1.0	<input type="checkbox"/> B-0199-01-F10	<input type="checkbox"/> B-0199-06-F10
1.5	<input type="checkbox"/> B-0199-01-WS	<input type="checkbox"/> B-0199-06-WS
2.2	<input type="checkbox"/> B-0199-01	<input type="checkbox"/> B-0199-06

Optional Handles

- 4" Wrist Action
- Lever (Standard)
- 4-Arm

Optional Cartridges With Checks

- Quarter-Turn Cerama w/ Check Valve
- Quarter-Turn Eterna w/ Spring Check (Standard)

