



T&S BRASS AND BRONZE WORKS, INC.

2 Saddleback Cove / P.O. Box 1088
Travelers Rest, SC 29690

Model No.

5F-4WLX03-4W

Item No.

Travelers Rest, SC: 800-476-4103 • Simi Valley, CA: 800-423-0150 • Fax: 864-834-3518 • www.tsbrass.com

This Space for Architect/Engineer Approval

Job Name _____ Date _____

Model Specified _____ Quantity _____

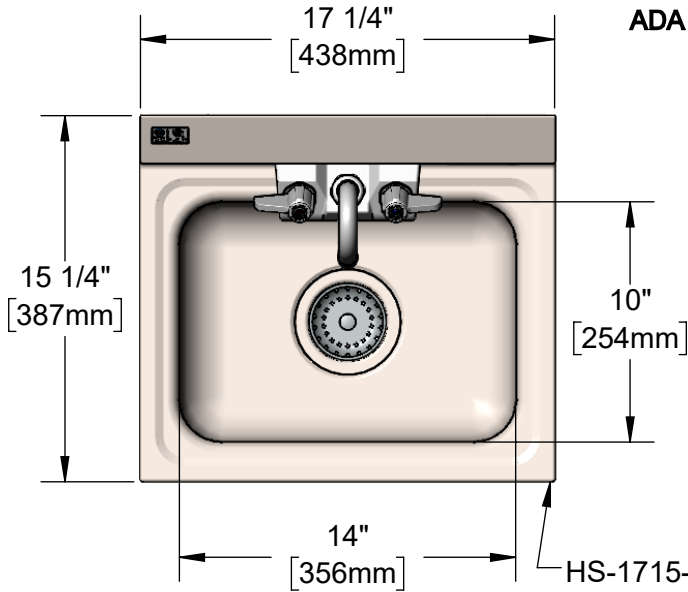
Customer/Wholesaler _____

Contractor _____

Architect/Engineer _____



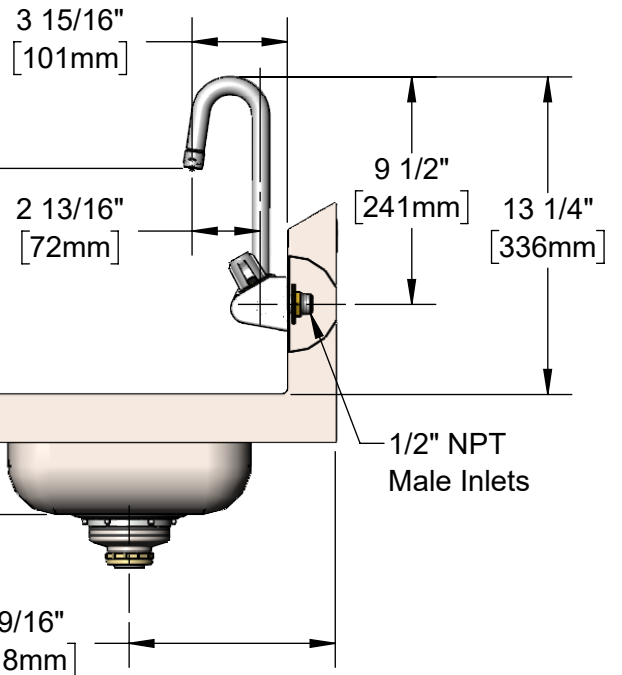
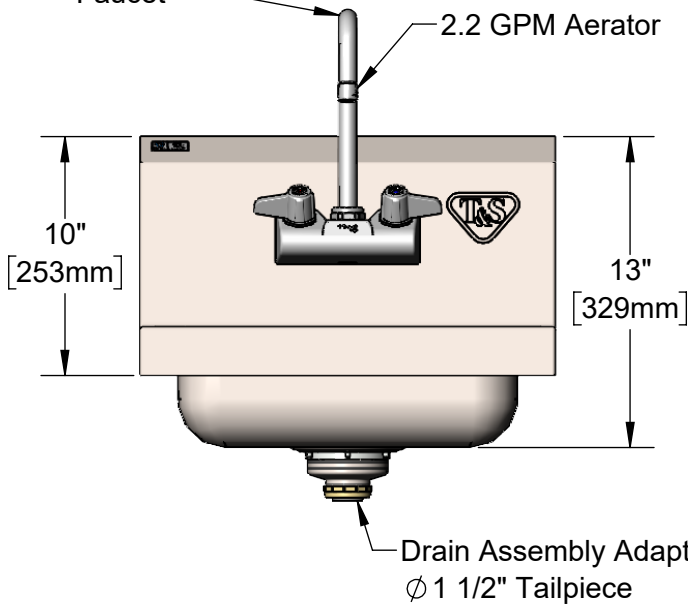
ADA Compliant



HS-1715-4W
NSF Approved Stainless Steel Sink
with 3 1/2" Drain Hole. Supplied
with Mounting Bracket and Drain
Assembly w/ Basket Strainer

5F-4WLX03
Manual Wall Mount
Faucet

2.2 GPM Aerator



Product Specifications:

Hand Wash Sink w/ Manual Faucet, Stainless Steel Sink / Backsplash, 3 1/2" Drain Assembly, 4" Wall Mount Faucet, Quarter-Turn Ceramic Cartridges, Lever Handles, 3" Swivel Gooseneck w/ 2.2 GPM Aerator & 1/2" NPT Male Inlets

Product Compliance:

ASME A112.18.1 / CSA B125.1
NSF 61 - Section 9
NSF 372 (Low Lead Content)
ANSI A117.1 (ADA)
ASME A112.19.3 / CSA B45.4 (Sink & Drain)
NSF / ANSI 2 (Sink & Drain)
ASME A112.18.2 / CSA B125.2 (Drain)



T&S BRASS AND BRONZE WORKS, INC.

2 Saddleback Cove / P.O. Box 1088
Travelers Rest, SC 29690

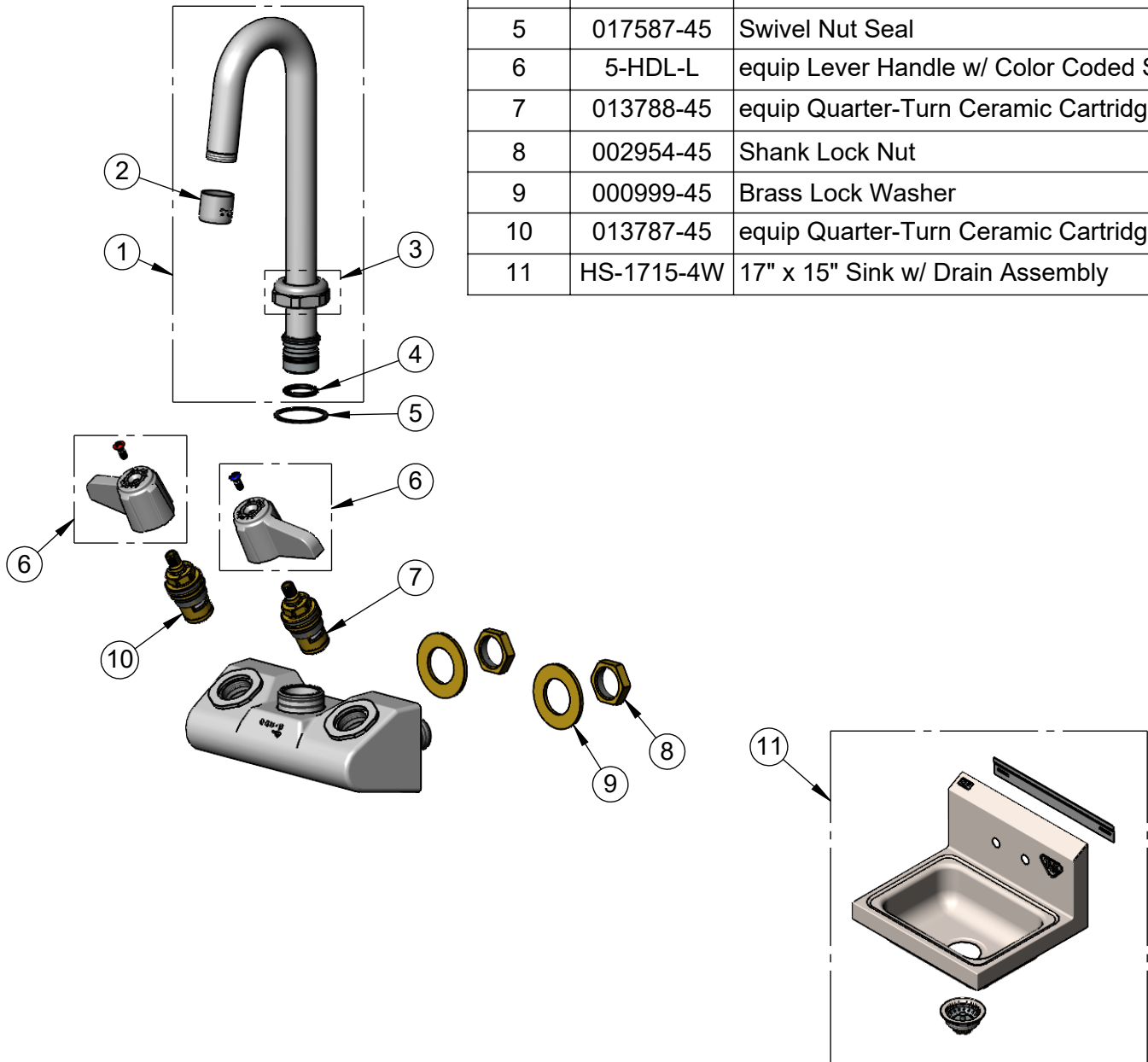
Model No.

5F-4WLX03-4W

Item No.

Travelers Rest, SC: 800-476-4103 • Simi Valley, CA: 800-423-0150 • Fax: 864-834-3518 • www.tsbrass.com

ITEM NO.	SALES NO.	DESCRIPTION
1	5SP-03A	equip 3" Swivel Gooseneck
2	013838-45	2.2 GPM Aerator, 3/4-27 UN Female
3	013839-25	equip Swivel Nut
4	013848-45	O-Ring
5	017587-45	Swivel Nut Seal
6	5-HDL-L	equip Lever Handle w/ Color Coded Screws
7	013788-45	equip Quarter-Turn Ceramic Cartridge, LTC
8	002954-45	Shank Lock Nut
9	000999-45	Brass Lock Washer
10	013787-45	equip Quarter-Turn Ceramic Cartridge, RTC
11	HS-1715-4W	17" x 15" Sink w/ Drain Assembly



Product Specifications:

Hand Wash Sink w/ Manual Faucet, Stainless Steel Sink / Backsplash, 3 1/2" Drain Assembly, 4" Wall Mount Faucet, Quarter-Turn Ceramic Cartridges, Lever Handles, 3" Swivel Gooseneck w/ 2.2 GPM Aerator & 1/2" NPT Male Inlets

Product Compliance:

ASME A112.18.1 / CSA B125.1
NSF 61 - Section 9
NSF 372 (Low Lead Content)
ANSI A117.1 (ADA)
ASME A112.19.3 / CSA B45.4 (Sink & Drain)
NSF / ANSI 2 (Sink & Drain)
ASME A112.18.2 / CSA B125.2 (Drain)